

A tradition of innovation since 1966

HAYBUSTER®

3106 ROCK-EZE

[rock windrower picker]

HAYBUSTER®



- Rock windrowing and picking are combined into an "easy" one-step operation.
- Clears a 10 ft. (3.05 m) wide path.
- Hardfaced rock windrower teeth.
- 1 cu. yd. (.765 cu m) capacity rock box
 - 80 in. (203.20 cm) rock box dump height.
 - Picks rocks with diameters from 2 in. (5.08 cm) to 15 in. (38.1 cm)
- Field and road hitch
- Heavy duty construction



The **ROCK-EZE** requires just 80 horsepower.

The **3106 ROCK-EZE** clears your fields of rocks sized from 2 inches (5.08 cm) to 15 inches (38.1 cm) in diameter.



The **3106 ROCK-EZE** is halfway done picking this field.



BEFORE

AFTER



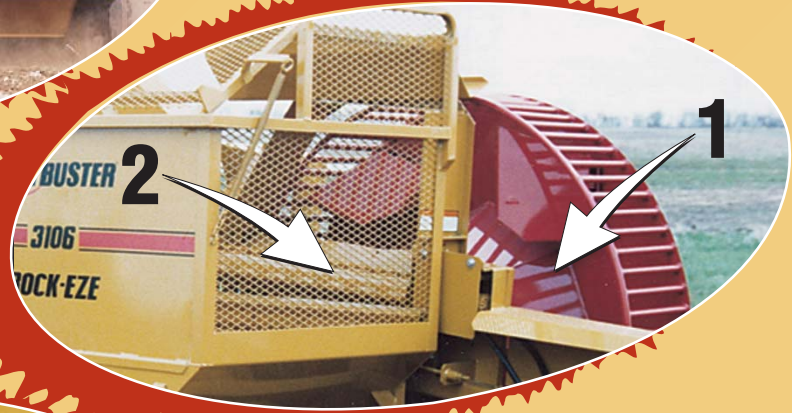
The **ROCK-EZE** requires just 80 horsepower.

The **windrower teeth** comb through the top 1 inch of soil to dislodge the rocks. The windrower augers the rocks into the patented **rock wheel**.



The ground driven **rock wheel** separates the excess dirt and stones smaller than 2 inches.

- (1) The rocks are carried up on **spring loaded paddles** and are dumped into the **rock box**.
- (2) The **rock kicker** assures that the rocks are distributed evenly within the **rock box**.



The **grate** in the bottom of the **rock box** allows any soil that may have come in with rocks to return to your field.

The **rock box** can dump 1 cubic yard of rocks 80 inches (203.20cm) high.



WEIGHT

Total	4,600 lbs. (2086.50 kg)
Hitch	460 lbs. (208.65 m)

*(in field mode with windrower and rock wheel raised)***SHIPPING DIMENSIONS***(with Rock Windrower removed)*

Truck Freight Width	7 ft. 10 in. (2.39 m)
<i>(with left-side tire, wheel, hub & spindle removed).</i>	
Tow Width	9' (2.74 m)
Length	15' 5" (4.62 m)
Height	7' 7" (2.31 m)

TRANSPORT & FIELD DIMENSIONS

Width	13' (3.96 m)
Length	15' 5" (4.69 m)
Height	7' 7" (2.31 m)
Dump height	7' (2.13 m)
Overhead clearance req. to dump	14' 4" (4.37 m)

CHASSIS FEATURES

Towing Arrangement	Clevis type hitch
Hitch Type	Two position, swing into road or into field positions
Tires Two	11L x 16
Wheels	Two 10 x 16 - 8 bolt, Drop Center
Bearings	Tapered roller

ROCK PICKER MECHANISM

Windrower	
Length	10' (3.05 m)
Finger Length and type	3"(7.62 cm) and Hard Surfaced
Outside Diameter	11" (7.62 cm)
Drive	Hydraulic via. #60 chain and drop case
Lift	One 2 in. (5.08 cm) x 8 in. (20.32 cm) double acting hydraulic cylinder that is shared with Rock Wheel lift.

Rock Wheel

Outside Diameter	72" or 6' (182 cm)
Width	14-3/4" (4.29 m)
Bar Spacing	1-7/8" (4.76 m)
Number of Rock Paddles	Five, spring cushioned
Drive	Ground driven
Lift	One 2" (5.08 cm) x 8" (20.32 cm) double acting hydraulic cylinder that is shared with windrower lift

Rock Box

Dimensions	44" x 60" (111.76 cm x 152.4 cm)
Capacity	1 cu. yd. (.765 cu. m)
Bottom Grate	1/2" (1.27 cm) thick with fifteen 1-1/2" x 10" (3.81 cm x 25.4 cm) slots
Dump Height	80" (203.20 cm) or Lift Two 3" x 24" (7.62 cm x 60.96 cm) double acting hydraulic cylinders
Rock Kicker Type	Rotating Fluted Rolle
Fluted Roller Dimensions	6-7/8" x 39" (17.46 cm x 95 cm)
Fluted Roller Drive	Hydraulic

REQUIREMENTS FOR OPERATION TRACTOR

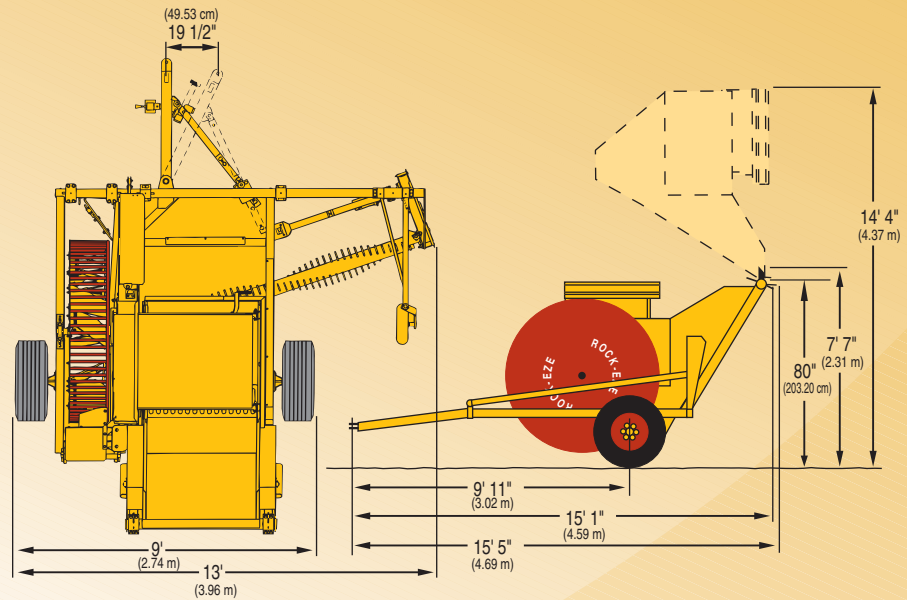
Minimum PTO Horsepower required – 80
 Minimum Hydraulic Output – 12 G.P.M. x 1500 P.S.I. (45.42 l/min x 10,342,135.92 pascal)
 Hydraulic remote controls – Three double acting valves with quick coupler outlets
 Tractor weight must be of equal or greater weight than that of a fully loaded 3106 ROCK-EZE.
 This is necessary to insure tractor and rock picker stability.

SPECIFICATIONS**3106 ROCK-EZE 1**

The field and road hitch converts the 3106 Rocke-Eze from road to field and back to road. The field and road hitch centers the 3106 behind the tractor for easier road transport.



An optional drag plate can be installed when picking rocks on firm soil or in a pasture. The drag plate prevents rocks from being kicked forward onto previously picked ground.



**PO Box 1940
 Jamestown, ND 58402-1940
 Phone: (701) 252-4601
 Fax: (701) 252-0502
 Website: www.haybuster.com**



DuraTech Industries International, Inc. reserves the right to change its products or their specifications at anytime without notice or obligation. Illustrations, specifications, and descriptions contained herein were accurate at the time of publication, but are subject to change without notice. Illustrations may include optional equipment or accessories and may not include all standard equipment.